

Australian Vacuum Systems



Shower & Floor Drain

TECHNICAL DATA SHEET

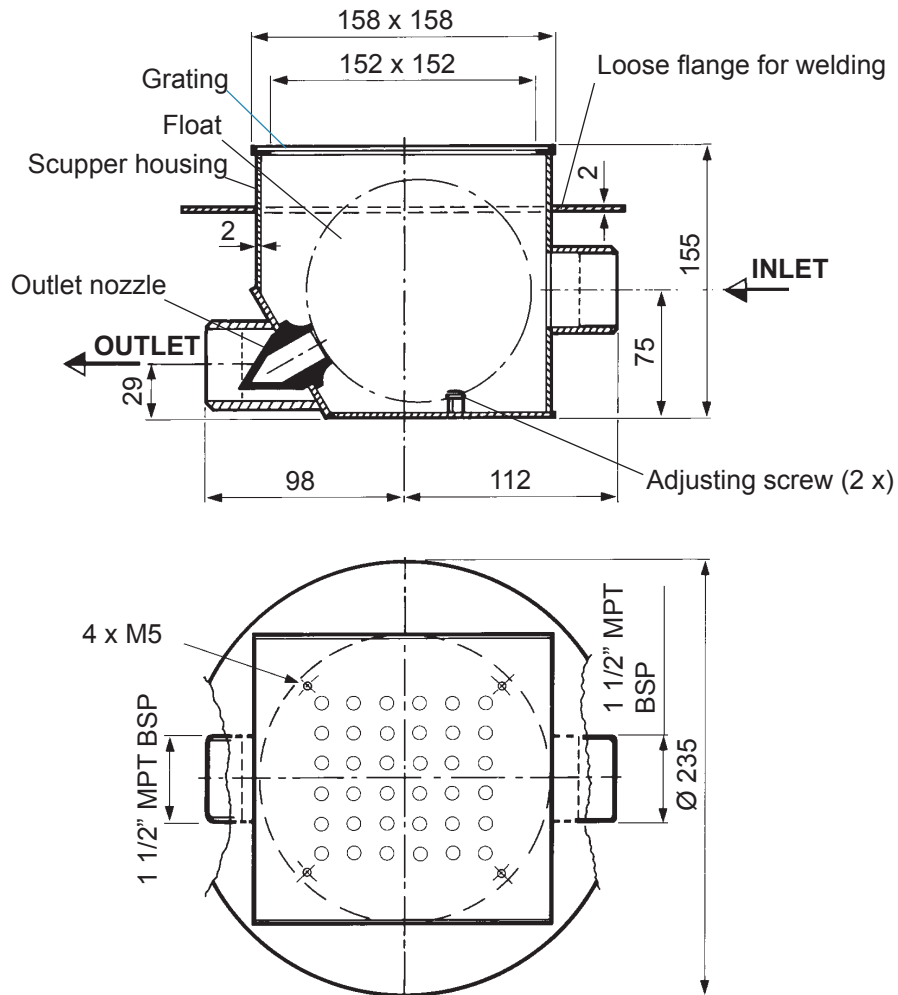
Australian Vacuum Systems
Unit 6/5 Vuko Place
Warriewood, NSW
2102

Phone: +61 2 9998 6655



VACUUM INTERFACE VALVE

5439590 SHOWER DRAIN



Materials Body: Stainless steel EN 1.4404
 Float: Acetal POM
 Outlet nozzle / Backflow preventer: EPDM

Operating data Operating vacuum: -30... -50kPa
 Min. operating vacuum: -20kPa
 Activating volume: 1 l

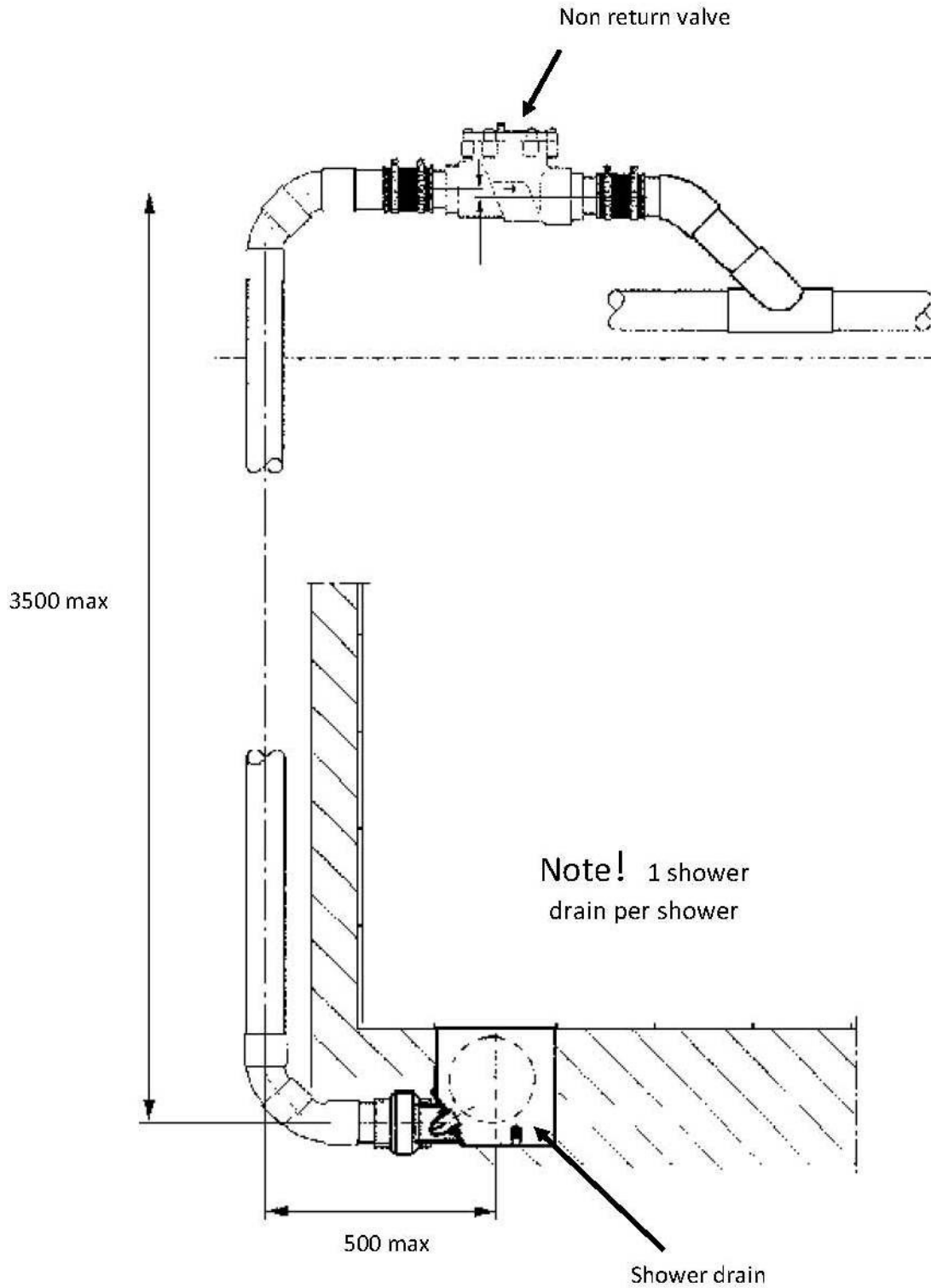
Capacity: 45 l/min, 3 wash basins or equivalent

Connections Outlet / vacuum line: 1 1/2" MPT BSP DN40
 Inlet / gravity line: 1 1/2" MPT BSP DN40

Shipping data Net weight: 2.5kg
 Shipping weight: 4.0kg
 Shipping volume: 0.01m³

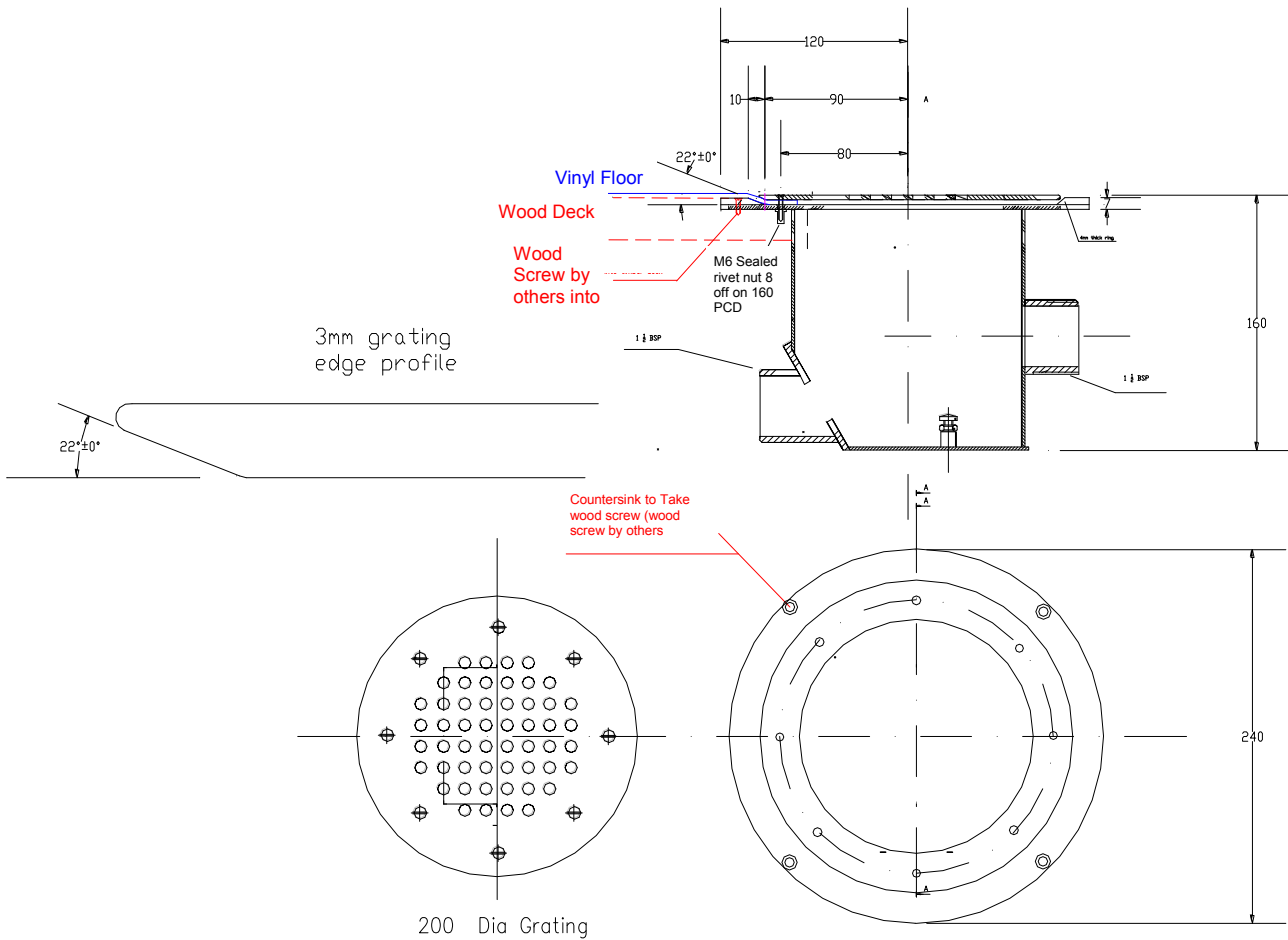
VACUUM INTERFACE UNIT

5439590 SHOWER DRAIN



VACUUM INTERFACE UNIT

40057 00 ROUND SHOWER DRAIN WITH VINYL FLOOR CLAMP



Materials	Body Float Outlet nozzle	Stainless Steel Acetal POM EPDM
Operating Data	Operating vacuum Min operating vacuum Activating Volume	-0.4... -0.6bar -0.3bar 1 litre
Capacity	15l/min	1 Shower
Connections	Outlet vacuum line Inlet gravity line	1½" MPT BSP DN40 1½" MPT BSP DN40
Shipping Data	Net weight Shipping weight Shipping volume	3 kg 4.5kg 0.01m ³