



Cleantech Solutions.
Anywhere.



Evac Optima 5

Advanced vacuum toilets



Benefits

- The quietest flush operation on the market
- Hygienic, durable and compact design
- Low fresh water consumption (1.2 l/0.4 gal. per flush for the wall and floor models and 0.6 l/0.2 gal. for the urinal)
- Reliable operation with flush memory and vacuum-guard technology
- Easy to clean and maintain



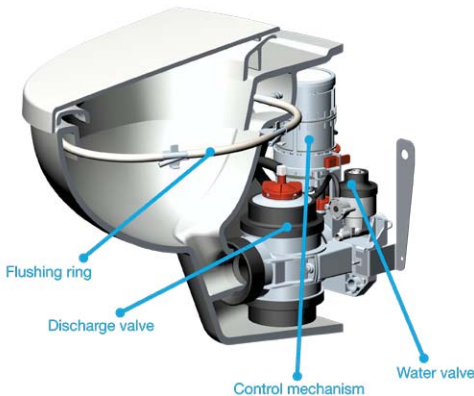
Evac Optima 5 vacuum toilets

The Evac Optima 5 vacuum toilet family is the quietest vacuum toilet on the market according to independent research.

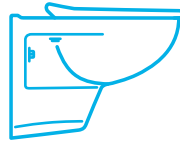
With the Evac Optima 5 there are no overflows or unflushed toilet bowls caused by a temporary loss of vacuum – the control unit with flushing memory ensures that there is sufficient vacuum for flushing before allowing the flush to be performed. Both the water consumption and flushing time can be adjusted.

The seat can withstand weights of up to 280 kg and is resistant to cigarette burns and scratches.

The Evac Optima 5 vacuum toilet is available in floor and wall-mounted models. We also offer special auto-flush and fire-resistant versions.



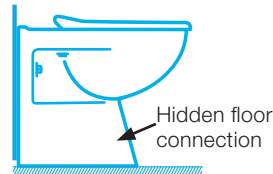
Evac optima 5 wall model



Dimensions (mm)
L x W x H
530 x 374 x 385

Autoflush
Wall-mounted pushbutton
Open front, soft close
Available also: B15, USPH

Evac optima 5 floor model



Dimensions (mm)
L x W x H
530 x 374 x 425

Autoflush
Open front, soft close
Bowl-mounted push button
Available also: USPH

Evac optima 5 urinal



Dimensions (mm)
L x W x H
530 x 374 x 385

Autoflush
Available also: USPH

Evac Optima 5 vacuum urinal

The Evac Optima 5 urinal is the world's first and only vacuum urinal. It is compact, using an integrated vacuum mechanism in the bowl rather than a vacuum interface tank. It is available in auto and button-flush versions, as well as a waterless version.

The flush in the Evac Optima 5 vacuum urinal is much more powerful than that of traditional gravity urinals, meaning that all of the water is changed completely, while the waterless version removes urine completely. This means no deodorizer block is needed with either version, as urine traces and odors are eliminated.



Evac related products

1. Evac toilet buttons
2. Evac OnlineVac vacuum unit
3. Evac Orca IV electrolytic wastewater treatment plant
4. Evac MBR wastewater treatment membrane bioreactor



1.



2.



3.



4.



Cleantech Solutions.
Anywhere.



Vacuum collection



Wastewater treatment



Dry and wet waste treatment*



Fresh water generation



Systems automation

Evac Group is the world's leading provider of integrated waste-, wastewater-, and water management systems for the marine, offshore, and building industries. The company has executed over 20,000 marine, 1,500 offshore and 2,000 building projects worldwide. Evac has employees in Brazil, China, Finland, France, Germany, Korea, Norway and the USA, and representatives in more than 40 countries.

www.evac.com / Our contact information at www.evac.com/contacts

* Sold under Bvac trademark for the building industry.

Representative