



Cleantech Solutions.
Anywhere.



Evac OnlineVac

Liquid-ring screw pump vacuum generation unit



Benefits

- Lightweight, with an extremely small footprint (1 m² / 10.76 ft²)
- Robust construction
- Reliable operation
- Low maintenance
- Standard IEC flange-mounted motor

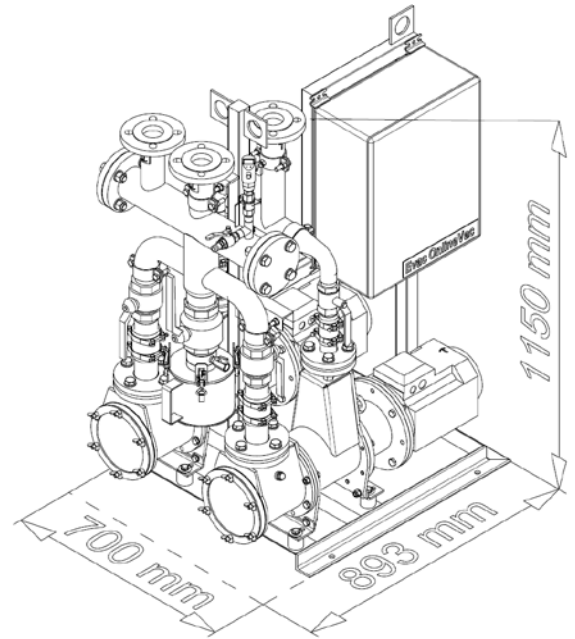


Evac OnlineVac

The Evac OnlineVac is a durable, low-maintenance online vacuum generation unit that macerates sewage and generates the vacuum required for the discharge process.

The Evac OnlineVac is particularly suitable for vessels with medium passenger and crew capacities. It features extra-strong bearings, heavy-duty mechanical seals, and an electric motor with an IEC flange connection. The vacuum is generated and sewage pumped by means of a special liquid-ring screw pump, manufactured – along with the pump casings – from high-quality, corrosion-resistant stainless steel.

Evac OnlineVac units can be customized according to your specific water treatment needs, and are available in two different capacities (V16 and V26) and as a retrofit version. Our Evac OnlineVac 32 and OnlineVac 52 systems comprise two V16 pumps and two V26 pumps respectively.



Model	Pumps	Capacity	Weight (kg)	Dimensions W x L x H (mm)
Evac OnlineVac 16	1 x V16	13 m³/h: 50 Hz 2.2 kW 16 m³/h: 60 Hz 2.5 kW	Net weight (dry): 135 Shipping weight: 155	350 x 950 x 1040
Evac OnlineVac 26	1 x V26	22 m³/h: 50 Hz 3.0 kW 26 m³/h: 60 Hz 3.5 kW	Net weight (dry): 155 Shipping weight: 175	480 x 900 x 1250
Evac OnlineVac 32	2 x V16	26 m³/h: 50 Hz 4.4 kW 32 m³/h: 60 Hz 5.0 kW	Net weight (dry): 210 Shipping weight: 230	725 x 685 x 1090
Evac OnlineVac 52	2 x V26	44 m³/h: 50 Hz 6 kW 52 m³/h: 60 Hz 7 kW	Net weight (dry): 255 Shipping weight: 275	700 x 900 x 1250
Evac OnlineVac 78	3 x V26	66 m³/h: 50 Hz 5.4 kW 78 m³/h: 60 Hz 6.6 kW	Net weight (dry): 375 Shipping weight: 400	1170 x 1355 x 1315

Materials:

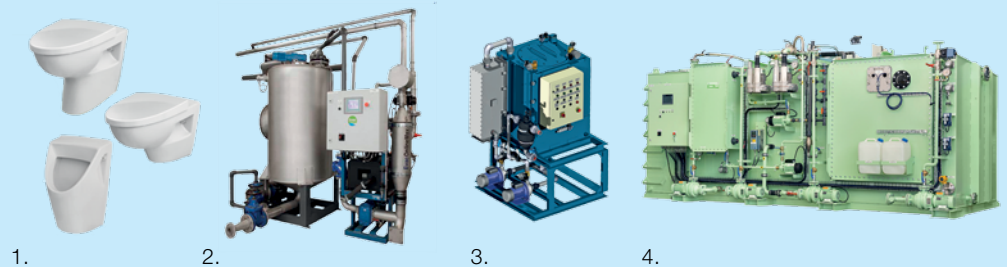
- Vacuum pump casing: stainless steel, EN 1.4404
- Frame: steel S235, EN 10025
- Piping: acid-proof steel, EN 1.4404

Evac OnlineVac can be installed in areas of varying size and layout.

Available as a ready-to-install solution or as separate components. Anti-magnetic and anti-vibration solutions are available for naval ships and other vessels with special requirements.

Related products

1. Evac Optima 5 vacuum toilets
2. Evac food waste collection system
3. Evac ORCA IV electrolytic wastewater treatment plant
4. Evac MBR wastewater treatment membrane bioreactor



Cleantech Solutions.
Anywhere.



Vacuum collection



Wastewater treatment



Dry and wet waste treatment*



Fresh water generation



Systems automation

Evac Group is the world's leading provider of integrated waste-, wastewater-, and water management systems for the marine, offshore, and building industries. The company has executed over 20,000 marine, 1,500 offshore and 2,000 building projects worldwide. Evac has employees in Brazil, China, Finland, France, Germany, Korea, Norway and the USA, and representatives in more than 40 countries.

www.evac.com / Our contact information at www.evac.com/contacts

* Sold under Bvac trademark for the building industry.

Representative