



Cleantech Solutions.
Anywhere.



Evac N° 10 HQE

Vacuum drainage system



Benefits

- Compact size
- Reduction of construction schedule and cost
- Construction flexibility
- Elimination of underground
- System redundancy
- Proven reliability
- Cost effective
- Low maintenance

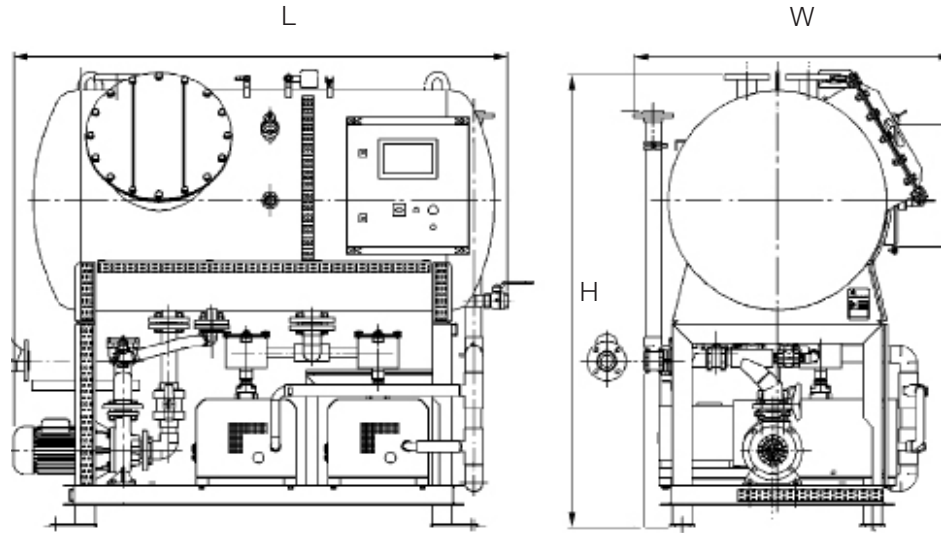


Evac N°10 HQE

Evac vacuum drainage systems deliver many advantages and benefits beyond the capabilities of traditional gravity plumbing. The Evac N°10 HQE systems eliminate frequent construction obstacles occurring with gravity drainage; including invert issues, trenching, core drilling, vent piping, and more. It is engineered to provide efficient, reliable, low-maintenance operation, while providing the greatest flexibility, reducing downtime, shortening construction schedules, and minimizing disruption for any building construction and remodeling. As the global leader in Vacuum Drainage Technology, Evac has helped its customers to achieve their construction goals on over a thousand projects.

The plant is composed of:

- One 1000 liters carbon steel collecting tank.
- Two rotary claw vacuum pumps in Aqua version with different flow available according to the references.
- One or two discharge pumps
- One control panel for the power and the regulation.
- Ready to be connected to the PVC (PN16) network pipes.
- Two inlets connections for the incoming flow.



P/N	Models	Power (kW)	Empty weight (kg)	Number of vacuum pumps	Number of discharge pumps
6546461	10 HQE 60 R1	5.6	960	2	1
6546462	10 HQE 105 R1	8.6	970	2	1
6546463	10 HQE 105 R2	11.6	1010	2	2
6546464	10 HQE 140 R2	14	1030	2	2

W = 1360 mm; L= 2130 mm; H= 1870 mm +/-10mm

Sample of reading a reference like: n°10 HQE 105 R2
n°10 HQE: for a tank of 1.0 m³ with rotary claw pumps

105: for 2 pumps with a capacity of 105 m³/h at atmospheric pressure each

R2: for 2 discharge pumps

Suitable for condensate and grey water collection, blackwater collection in option.

Evac related products

1. Pinch valve
2. Activator
3. Buffer box



Clantech Solutions.
Anywhere.



Vacuum collection*



Wastewater treatment



Dry and wet waste treatment*



Fresh water systems



Systems automation

Evac is the world's leading provider of integrated waste-, wastewater-, and water management systems for the marine, offshore, and building industries. The company has executed over 20,000 marine and 2,000 building projects worldwide. Evac has employees in Finland, Germany, France, China, Korea, the USA, Brazil, Norway, and representatives in more than 40 countries.

www.evac.com / Our contact information at www.evac.com/contacts

* Sold under different trademarks for the building industry.

Representative

Contact Evac Vacuum Systems (Shanghai) Co., Ltd. for more technical data at [evac.buildingcn@evac.com](mailto:buildingcn@evac.com)